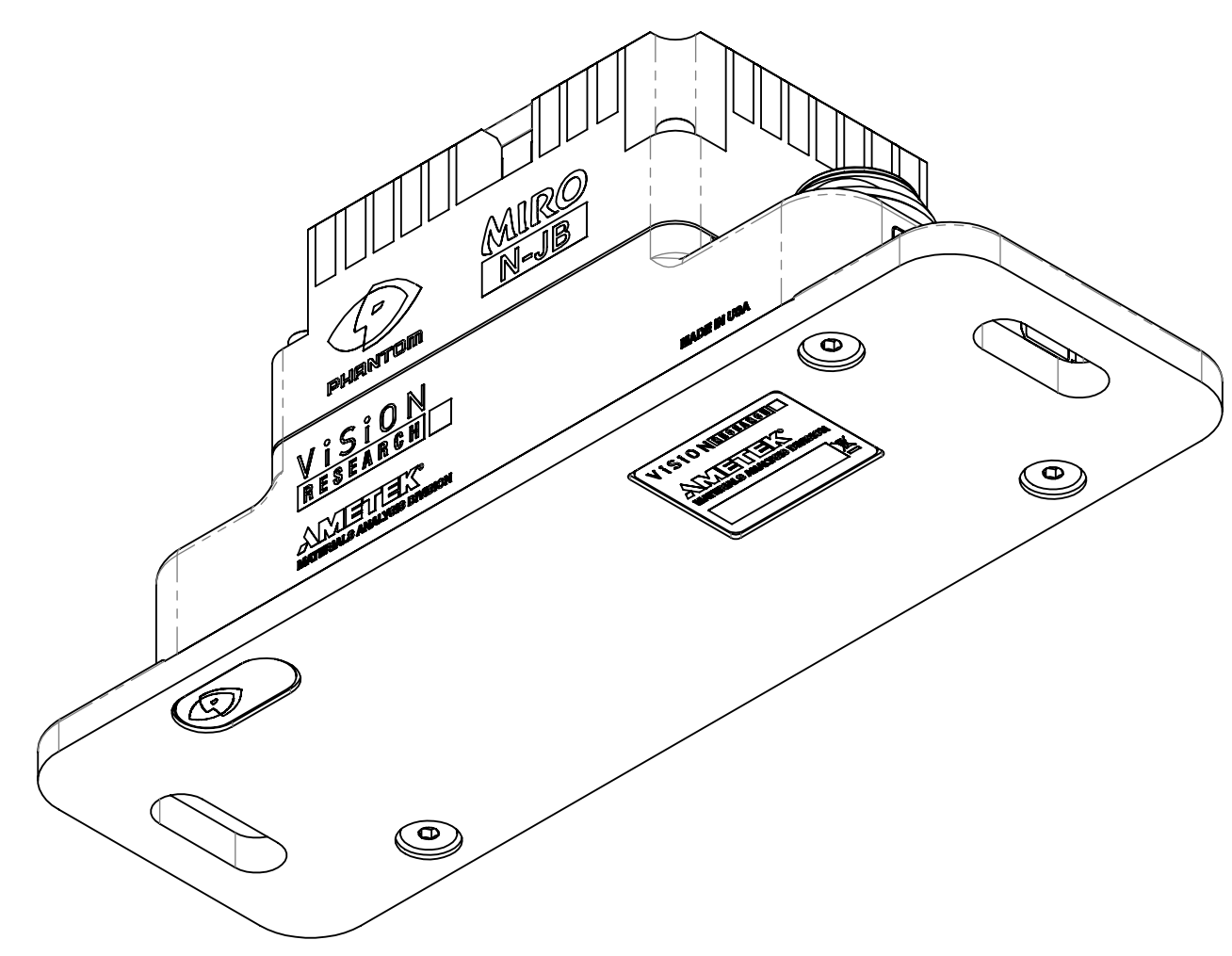
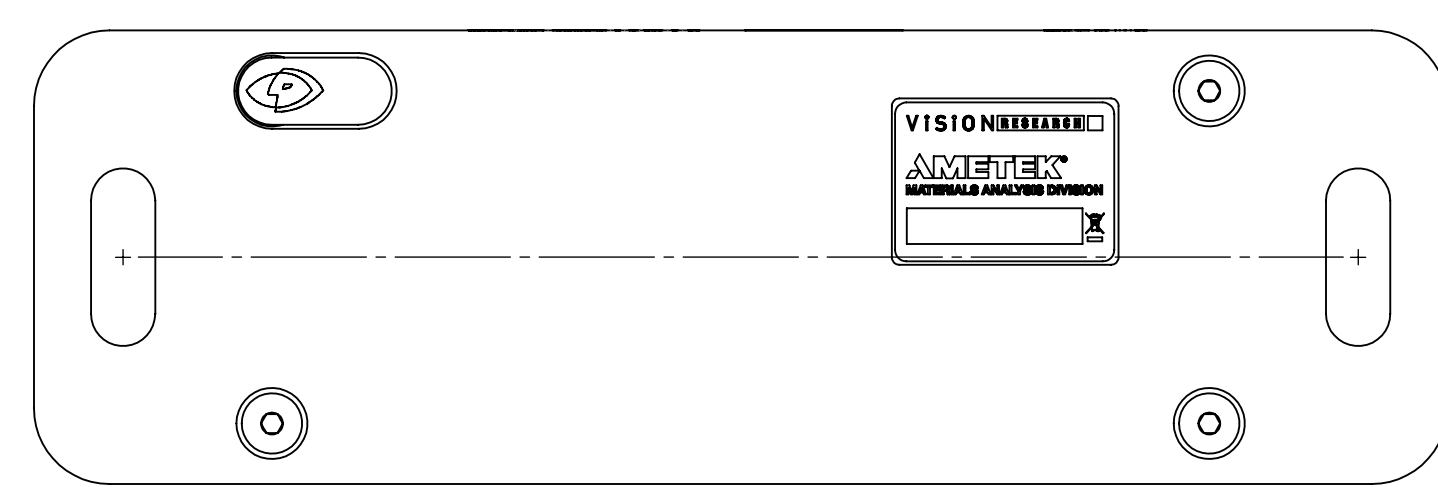
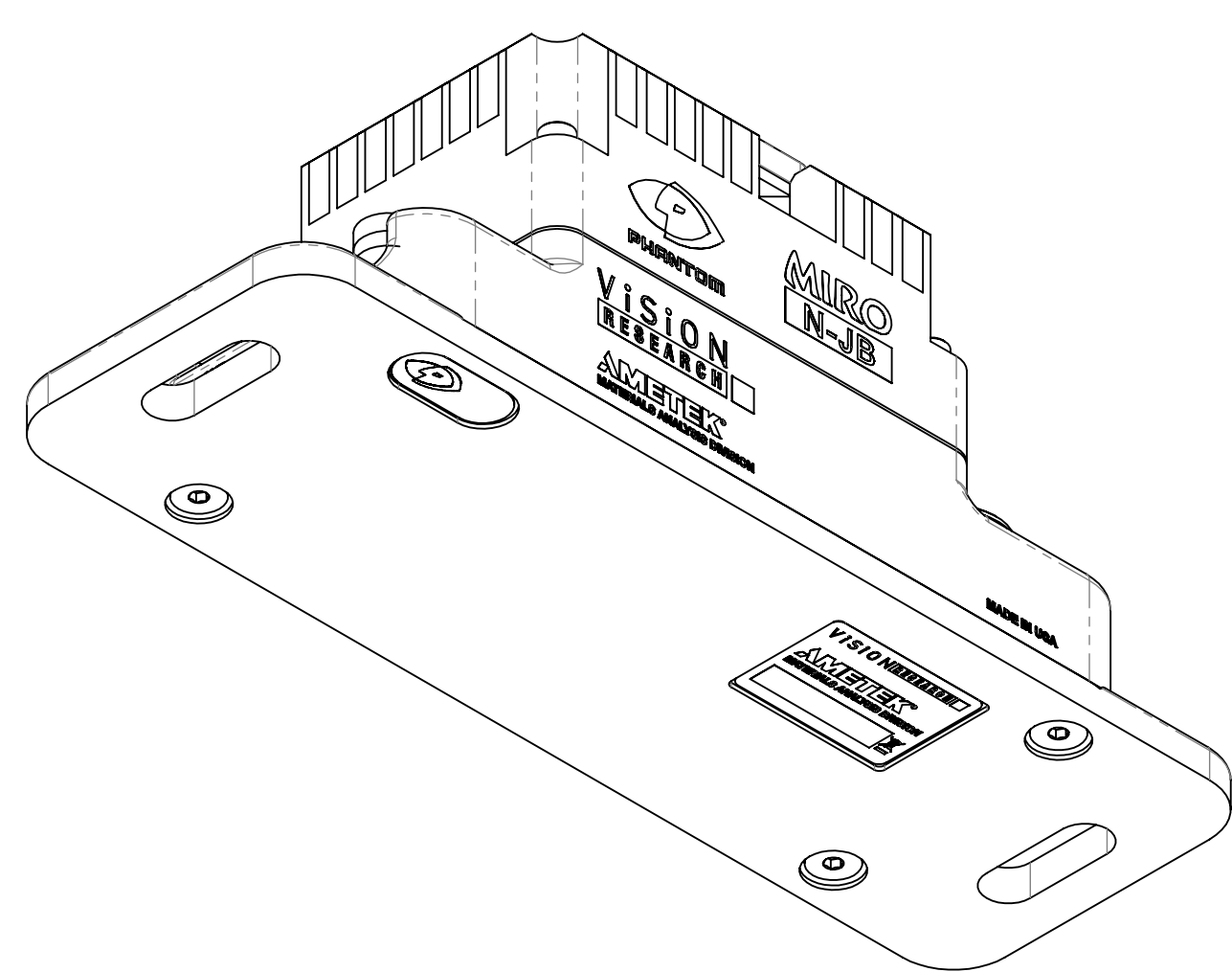
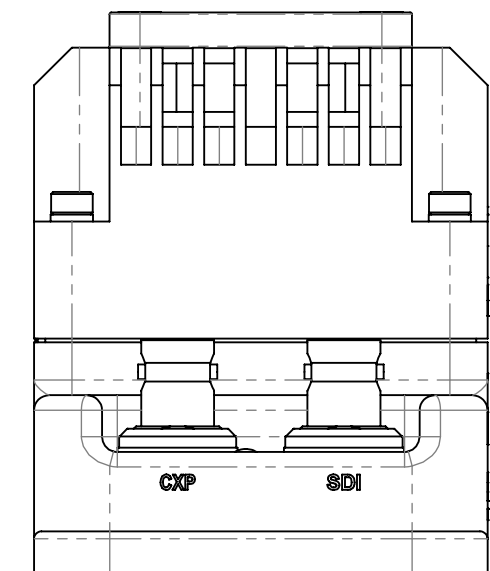
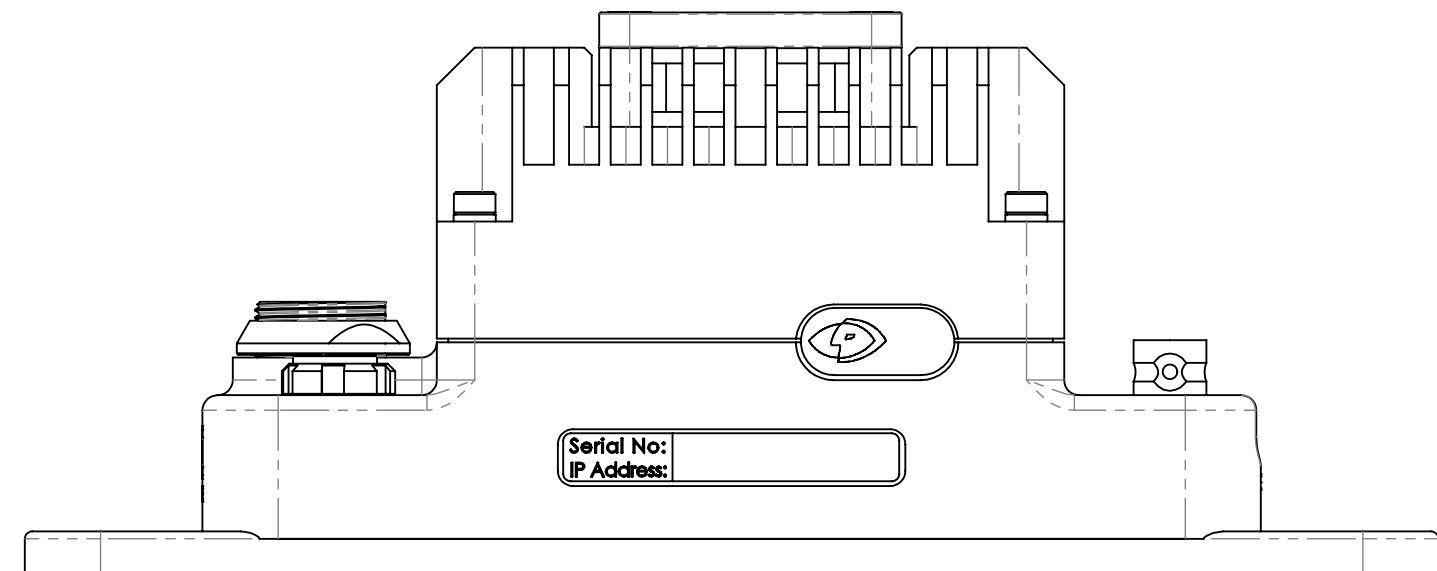
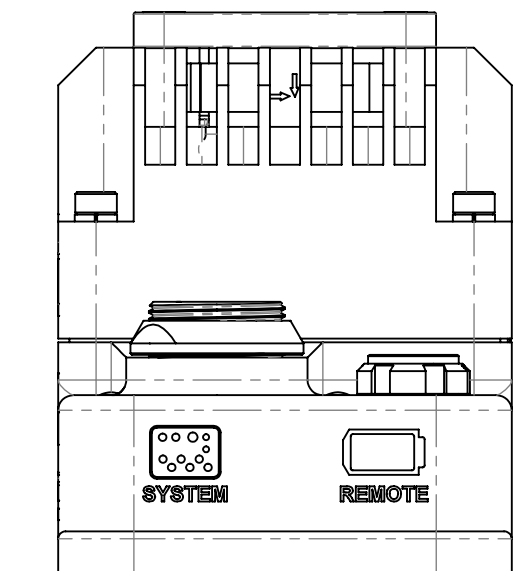
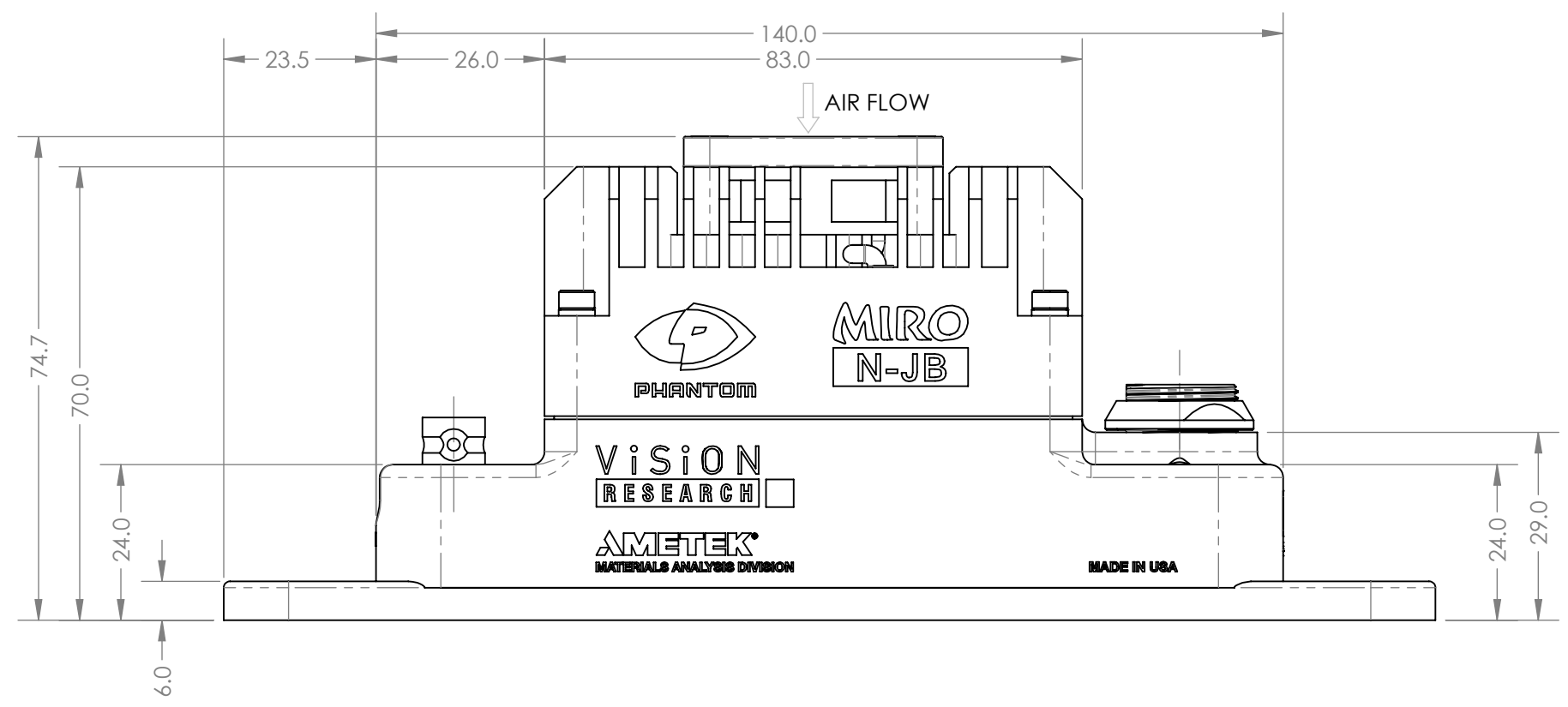
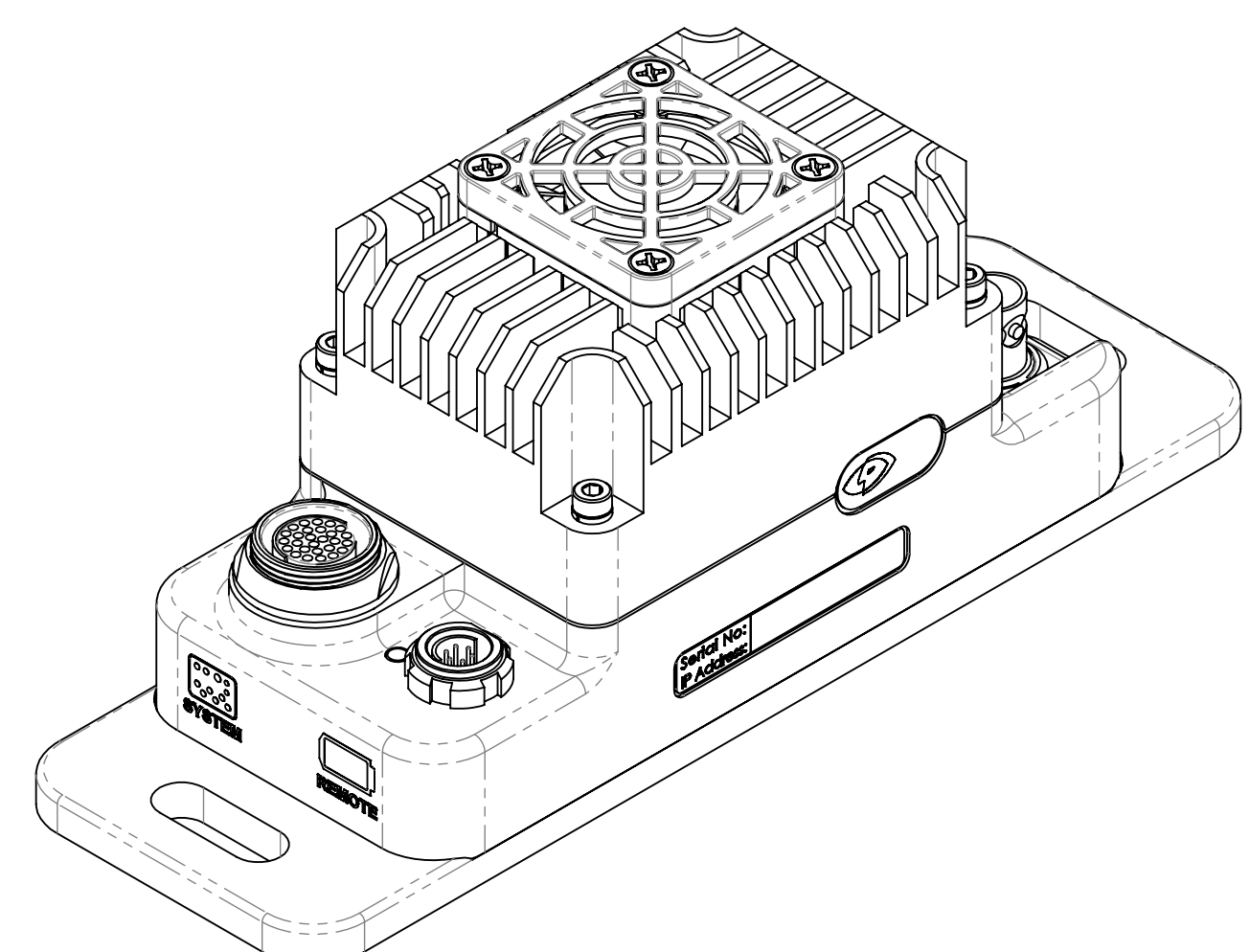
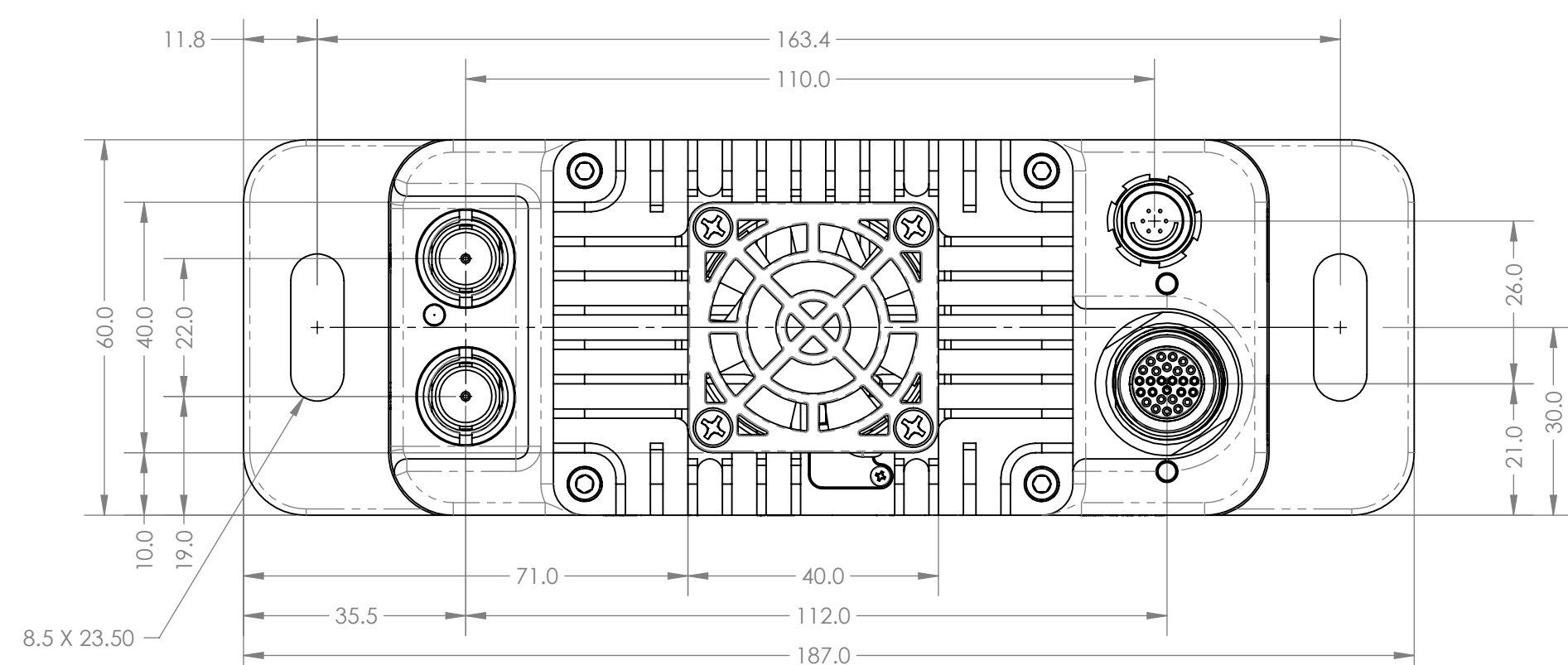
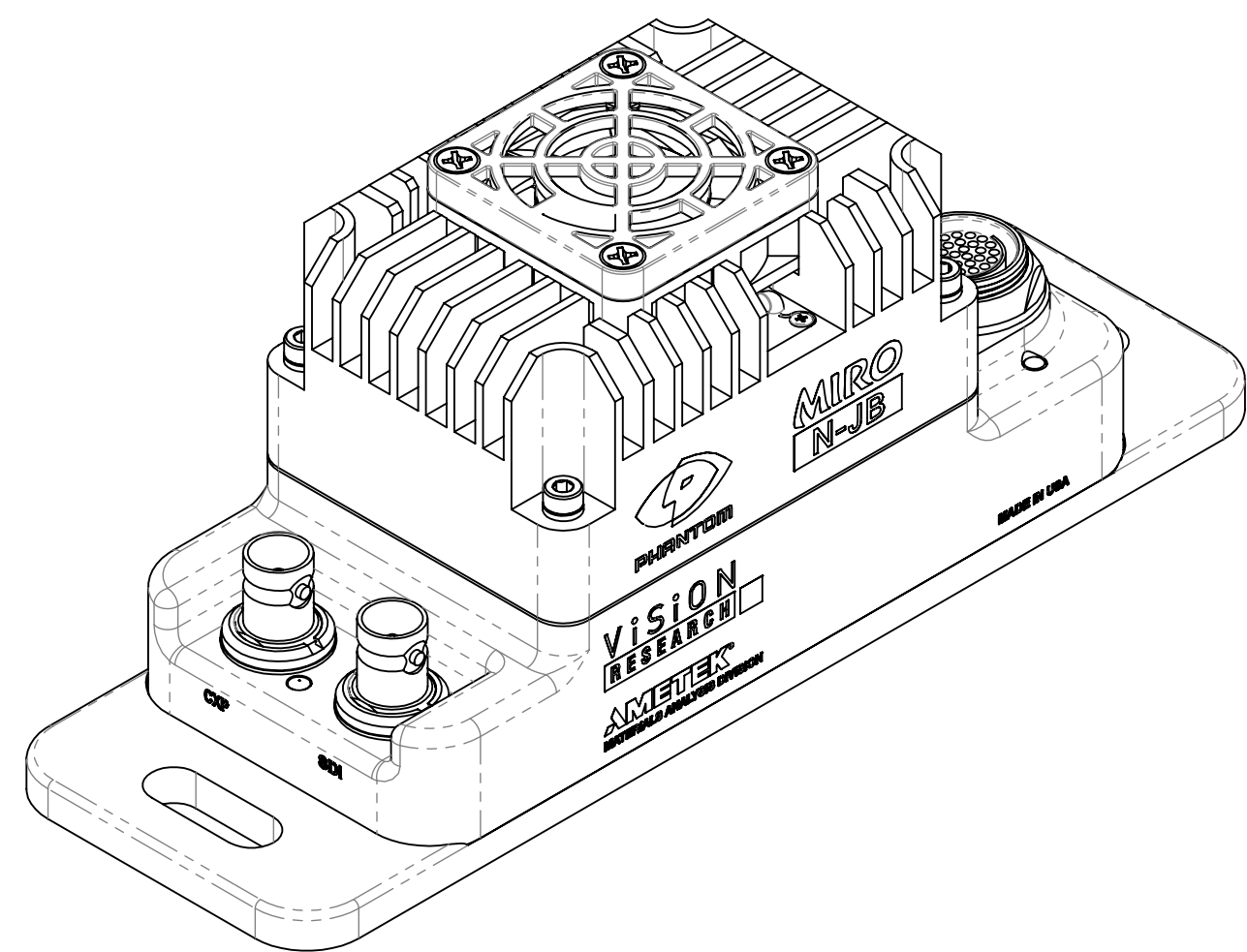


REVISIONS HISTORY			
REV.	DESCRIPTION	DRN BY	APP'D BY
0	INITIAL RELEASE	B.E.	9/19/16



PROPRIETARY AND CONFIDENTIAL
 THE INFORMATION CONTAINED IN THIS DRAWING IS THE SOLE PROPERTY OF VISION RESEARCH. ANY REPRODUCTION IN PART OR AS A WHOLE WITHOUT THE WRITTEN PERMISSION OF VISION RESEARCH IS PROHIBITED.

		UNLESS OTHERWISE SPECIFIED: DIMENSIONS ARE IN MM
		TOLERANCES: FRACTIONAL: ±1/64 ANGULAR: MACH ±0.5 ONE PLACE ±0.25 TWO PLACE ±0.13
		INTERPRET GEOMETRIC TOLERANCING PER: MATERIAL
NEXT ASSY	USED ON	FINISH
APPLICATION		DO NOT SCALE DRAWING

NAME	DATE
B.E.	9/19/16
DRAWN	
CHECKED	
ENG APPR.	
MFG APPR.	
Q.A.	

VISION RESEARCH
 100 Dey Road
 Wayne, New Jersey 07470 USA
 973-696-4500

TITLE:
**CUSTOMER DRAWING,
 N-JB BASE**

SIZE	DWG. NO.	REV
D	ZDOC-64106-CD-0006	0
SCALE 1:1	WEIGHT:	SHEET 1 OF 1

