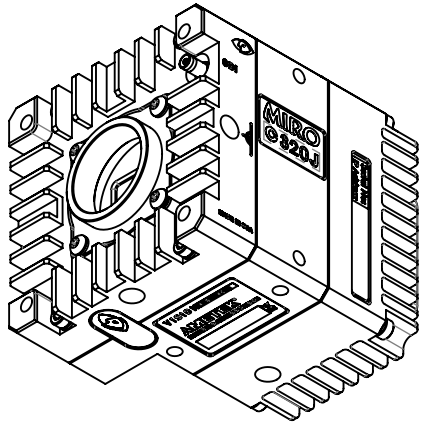
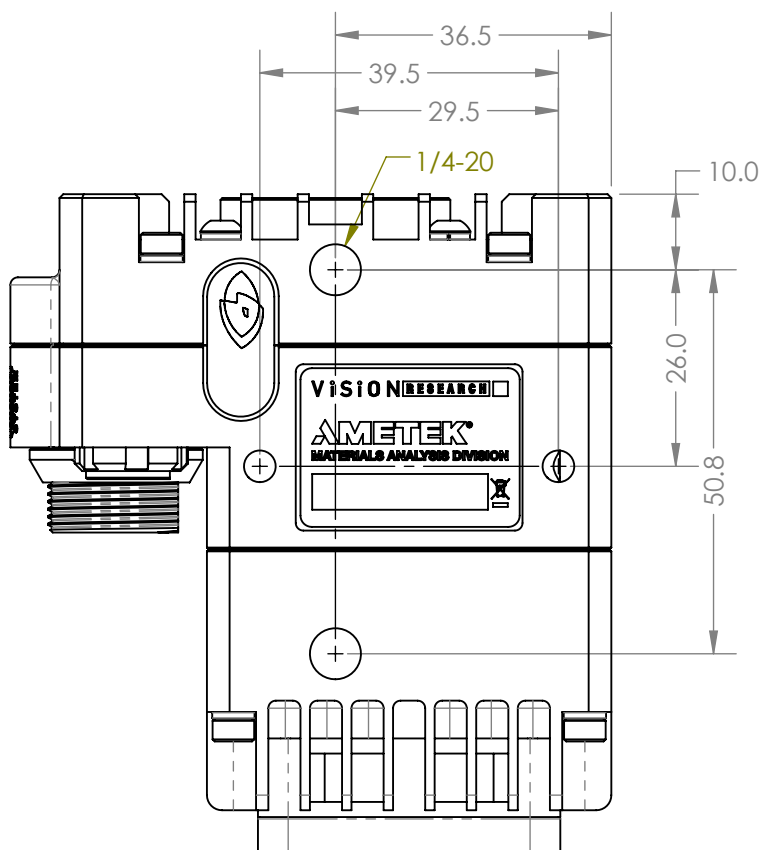
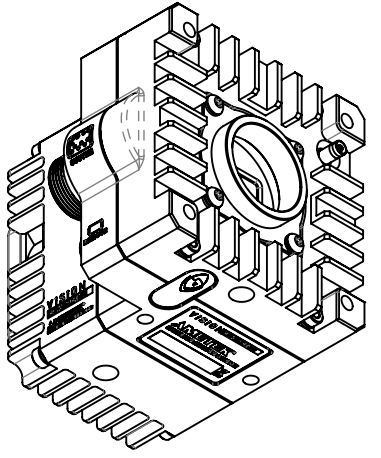
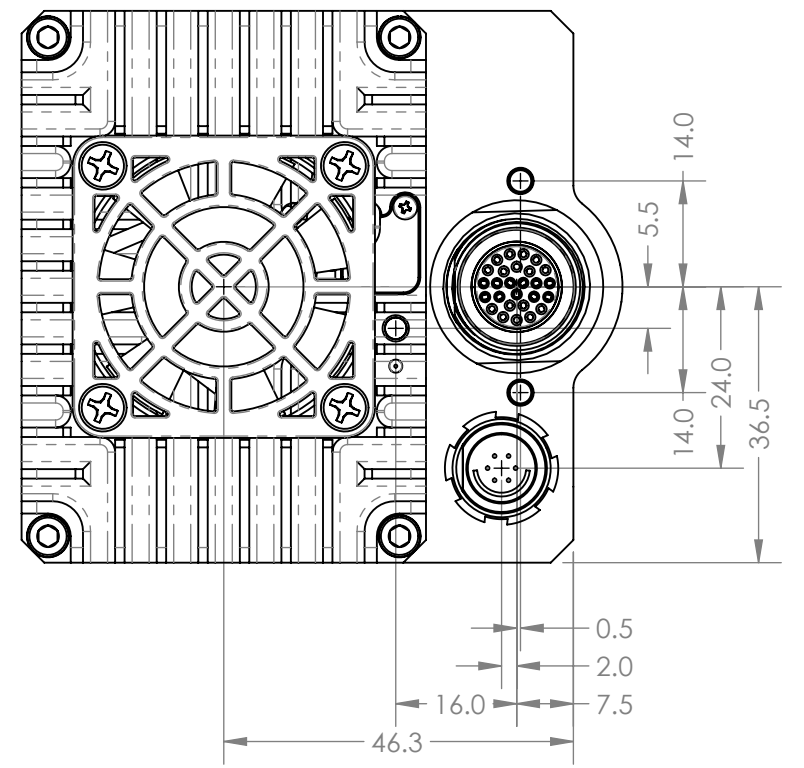
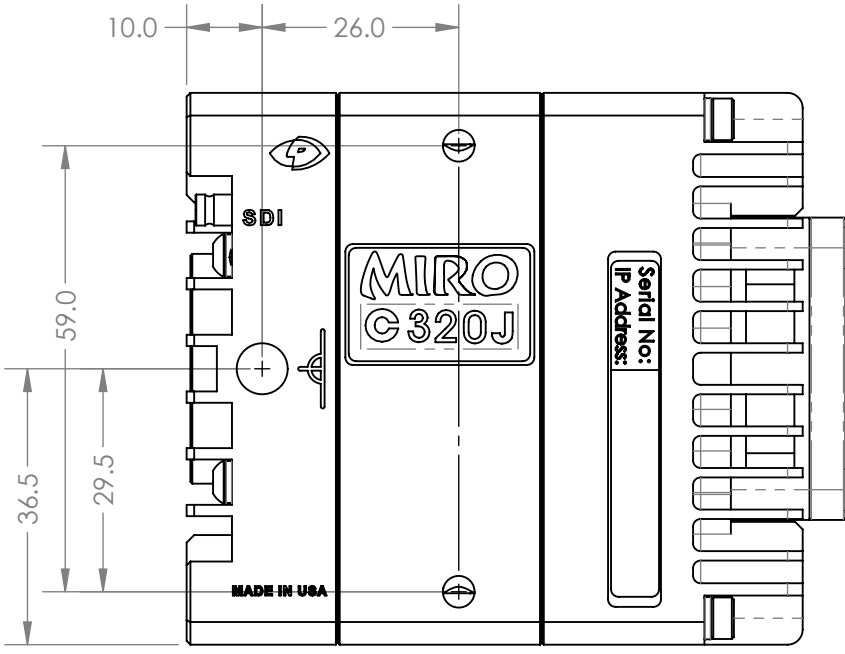
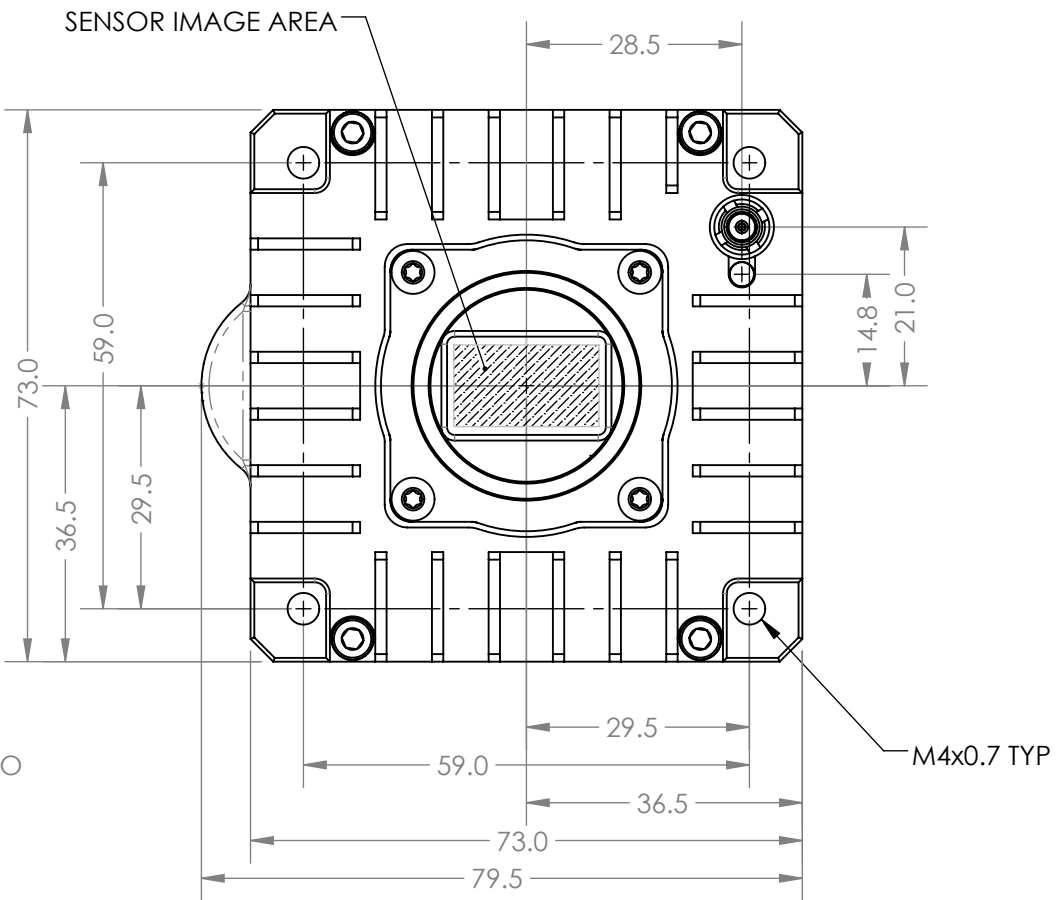
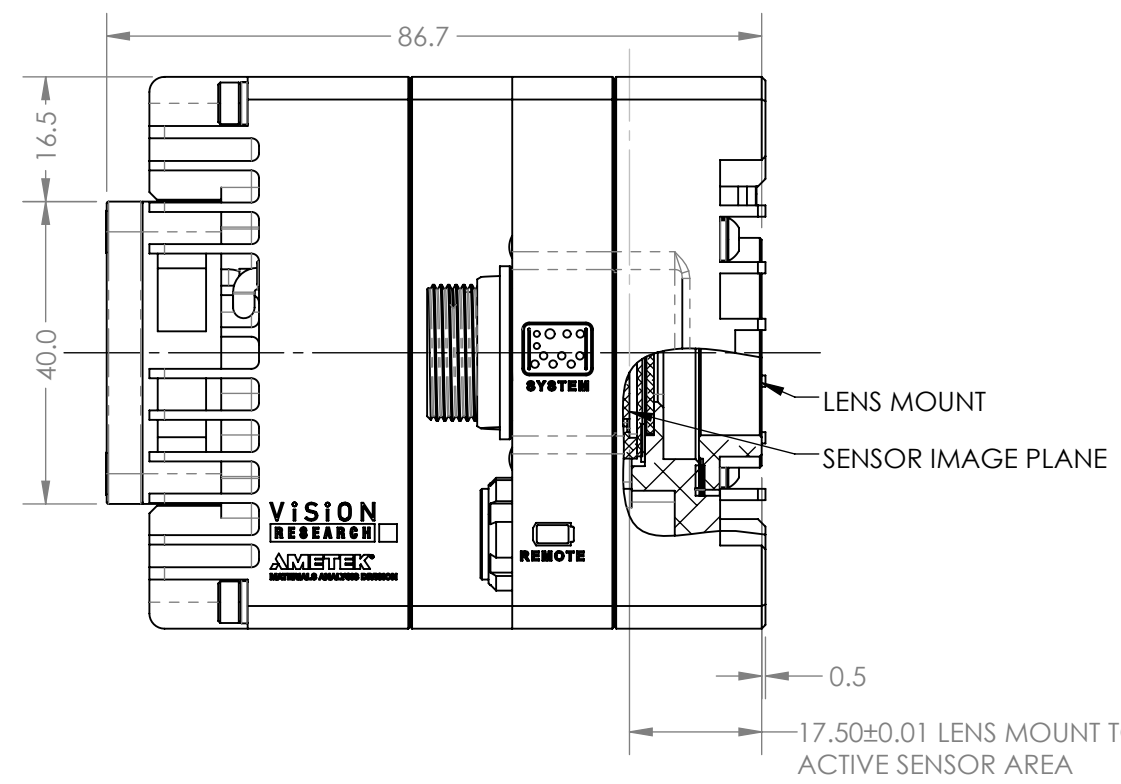
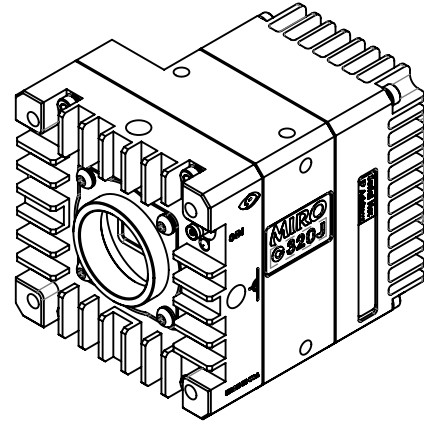
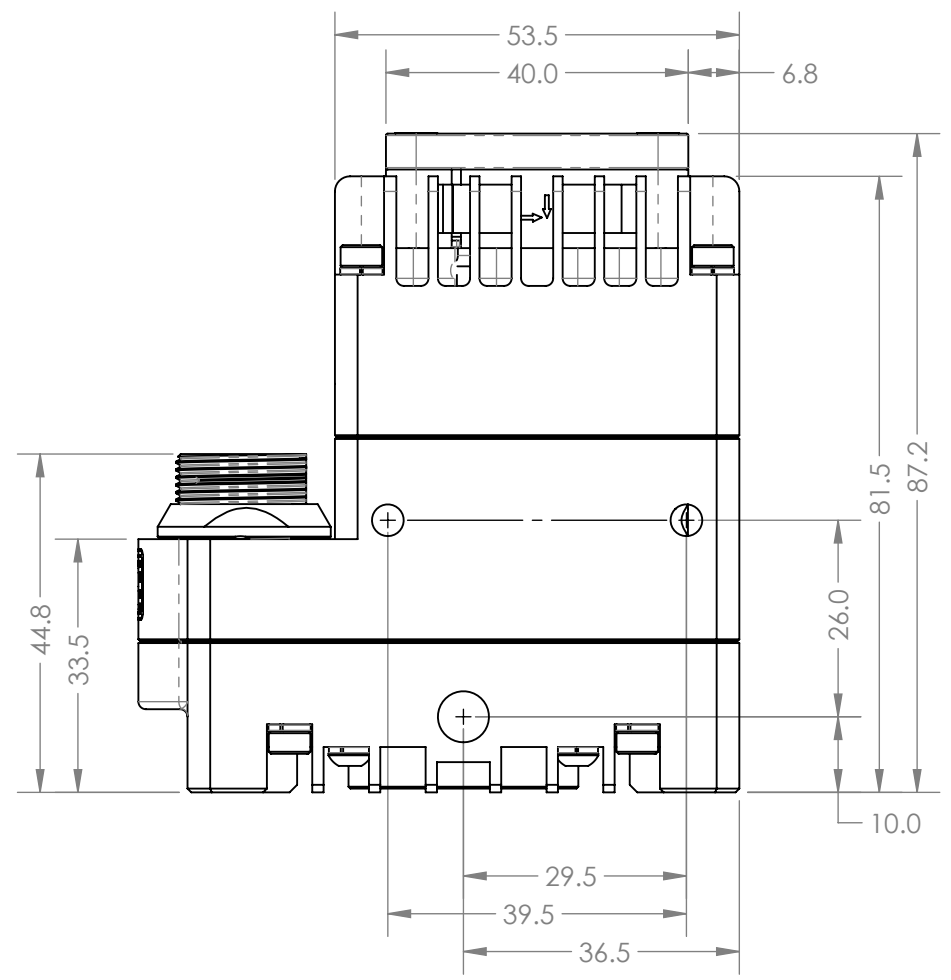
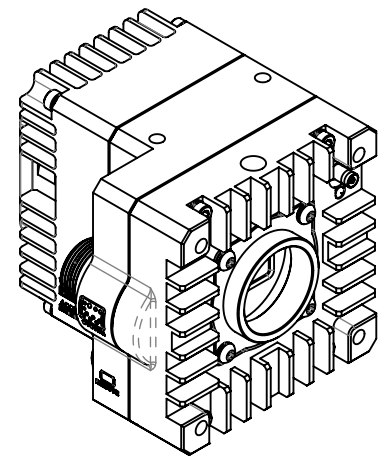


REVISIONS HISTORY			
REV.	DESCRIPTION	DRN BY	APP'D BY
0	INITIAL RELEASE	B.E. 4/2/19	
1	UPDATED TO REFLECT CHANGE IN SENSOR POSITION	B.E. 5/28/19	



PROPRIETARY AND CONFIDENTIAL
THE INFORMATION CONTAINED IN THIS DRAWING IS THE SOLE PROPERTY OF VISION RESEARCH. ANY REPRODUCTION IN PART OR AS A WHOLE WITHOUT THE WRITTEN PERMISSION OF VISION RESEARCH IS PROHIBITED.

UNLESS OTHERWISE SPECIFIED:
DIMENSIONS ARE IN MM
TOLERANCES:
FRACTIONAL: ±1/64
ANGULAR: MACH±0.5
ONE PLACE: ±0.25
TWO PLACE: ±0.13
INTERPRET GEOMETRIC TOLERANCING PER:
MATERIAL
FINISH
DO NOT SCALE DRAWING

NAME	B.E.	DATE	4/2/19
DRAWN			
CHECKED			
ENG APPR.			
MFG APPR.			
Q.A.			

VISION RESEARCH
100 Dey Road
Wayne, New Jersey 07470 USA
973-696-4500

TITLE:
CUSTOMER DRAWING, C320J

SIZE DWG. NO. REV
C ZDOC-64106-CD-0015 1

SCALE 1:1 SHEET 1 OF 1